

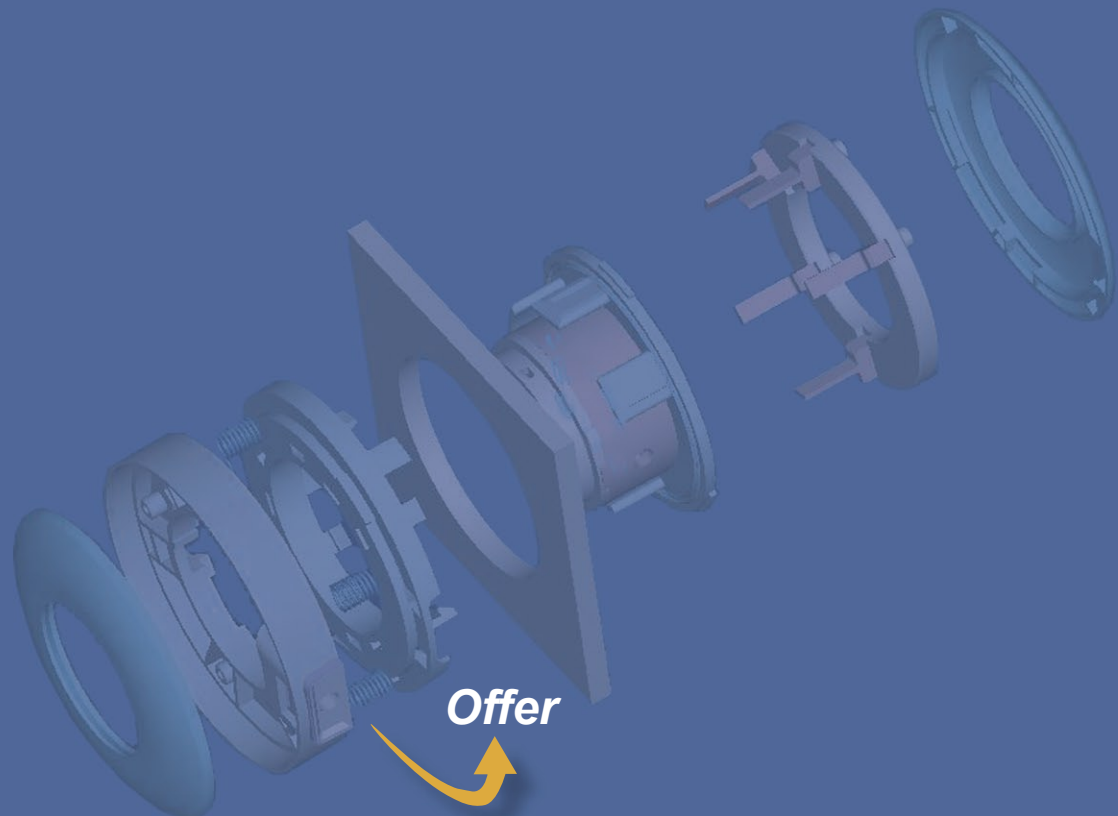
LED Marker / Tail lights



Contents

Select your chapter

- Two-tone tail lights : Ø 90 mm
- Marker lights : Ø 160 mm
- Tail lights : Ø 170 mm
- Tail lights : Ø 180 mm
- Tail lights : Ø 210 mm



LED Marker / Tail lights



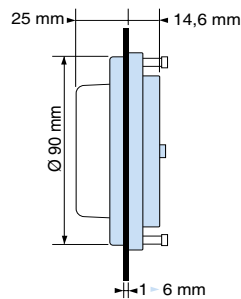
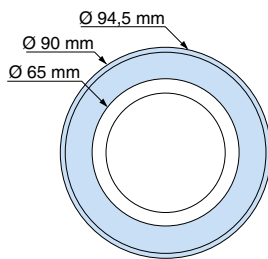
Complete mono-bloc units: LED tail lights \varnothing 90

Description	Voltage	Colour	Part Number	Weight kg
<ul style="list-style-type: none"> - Two-tone - Head/Tail indicator for railway stock - Plastic or metal base - Degree of protection: IP65 for the front panel - Protective cover in Trogamid T. - Connector: FCI 3-pin, type HE302 or Deutsch 4-pins, DT series. 	72V AC / DC	red/white	YSP 1287	

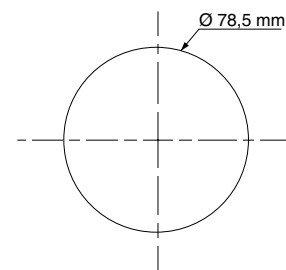


Dimensions and panel cut-outs

YSP 1287



Drilling template



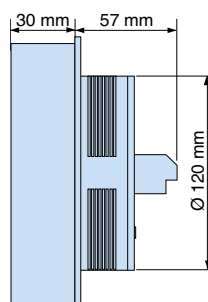
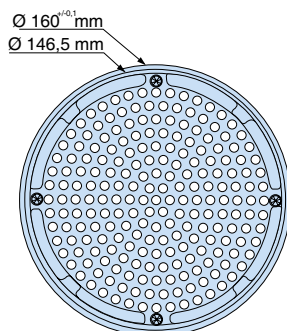
Complete mono-bloc units: LED marker lights \varnothing 160 mm

Description	Voltage	Colour	Part Number	Weight kg
<ul style="list-style-type: none"> - 217 \varnothing5 LEDs + 1 control LED at the rear - Designed for retro-fit in existing housings, so no protective cover. - Plastic base - Connection : Screw terminal bloc 	7.2V AC / DC	Green	YSP 1244A5	0.30
		Yellow	YSP 1244A4	
		Red	YSP 1244A2	
		White	YSP 1244A9	



Dimensions

YSP 1244A



LED Marker / Tail lights



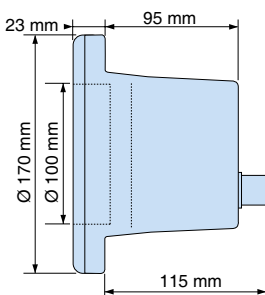
Complete mono-bloc units: LED Tail lights ø 170

Description	Voltage	Colour	Part Number	Weight kg
<ul style="list-style-type: none"> - Two-tone - ø 5 mm droplet-type LED - Head/Tail for railway stock - Body: aluminium - Degree of protection: IP65 for the front panel, IP2x at the rear - Protective cover in hardened glass - Round Amphenol connector, SL series 	72V DC	Red/white	YSP 1289	1.15
<ul style="list-style-type: none"> - 80 ou 125 LEDs, ø100 mm - Railways: Head/Tail indicator for rolling stock - Industry: indicate that the machine is in movementt (bridge crane, crannes, ...) - Base: aluminium - Degree of protection: IP66 for the front panel - Round Amphenol connector, SL series 	72V DC	Red White	YSP 1144A2 YSP 1144A9	1.15

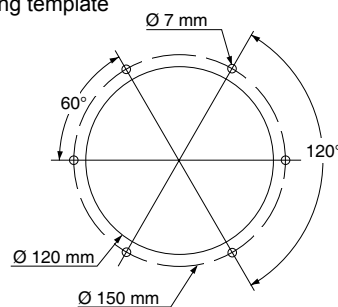


Dimensions and panel cut-outs

YSP 1144A - YSP 1289 Tail lights



Drilling template



YSP 1289 sold with support plate, contact us

LED Marker / Tail lights



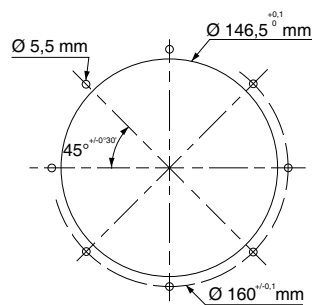
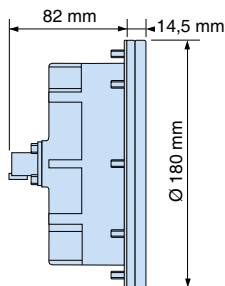
Complete mono-bloc units: LED tail lights ø 180

Description	Voltage	Colour	Part Number	Weight kg
<ul style="list-style-type: none"> - White: 120 LEDs - Red: 90 LEDs - 2 independent brightness control circuits 	24V DC (18 to 34V)	White	YSP 1230A91	1.15
		Red	YSP 1230A21	
<ul style="list-style-type: none"> - Power consumption: White 200 mA max Red 120 mA max - Base: aluminium - Connection : Deutsch Connector - Degree of protection : IP 65 for the front panel - Attachment: 8 M5 screws - Standards: GM / RT 2180 	72V DC (50 to 90V)	White	YSP 1230A92	
		Red	YSP 1230A22	
		Orange	YSP 1230A32	
<ul style="list-style-type: none"> - Base: aluminium - Connection : Deutsch Connector - Degree of protection : IP 65 for the front panel - Attachment: 8 M5 screws - Standards: GM / RT 2180 	110V DC (77 to 137V)	White	YSP 1230A93	
		Red	YSP 1230A23	
<ul style="list-style-type: none"> - 90 ø 5mm LEDs - 2 independent brightness control circuits - Designed to be incorporated in a signalling strip on a train - Brightness control system guarantees constant brightness level - Base moulded in aluminium, black - Smooth protective cover - Connection : Deutsch Connector, DT series - Attachment: 4 FHC 5 x 16 screws - Standards: UIC 5320 R 	72 V	Yellow	YSP 1255A42	
	72 V (50 à 90V)	Red	YSP 1255A22	



Dimensions and panel cut-outs

YSP 1230A - YSP 1255



LED Marker / Tail lights



Complete mono-bloc units: LED tail lights ø 210

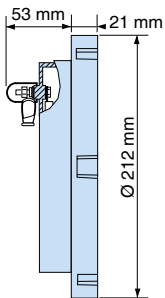
Description	Voltage	Colour	Part Number	Weight kg
- 90 Ø 5 mm LEDs - Smooth protective cover or Fresnel lens - Plastic base - Degree of protection : IP 66 for the front panel - Connection : M4 threaded rods, with caps - Attachment : 6 M5 screws	24V AC	White	YSP 1199A9	0.70
	24V DC (18 to 34V)	Red	YSP 1175A2	
	72V DC (50 to 90V)	Red	YSP 1236A2	
- Tail light with failed-LED detection mounted on adapted housing - Housing attachment: 6 M8 studs crimped on the train bodywork	24V DC	Red	YSP 1331A2	
	24V DC (16 to 32V)	Red	YSP 1333A2	
Options : Failed-LED detection, brightness control, aluminium bases, other colours, voltages, connections. Contact us.				
- White: 90 Ø 5 mm LEDs - Red: 60 CMS LEDs - Tail/Head indicator for rolling stock - Plastic base - Degree of protection : IP 66 for the front panel - Smooth protective cover - Connection : M4 threaded rods, with caps - Attachment : 6 M5 screws (provided)	72 V (50 to 90V)	White	YSP 1299A9	
		Red	YSP 1299A2	
		Red	YSP 1280A2	
- Attachment : 6 M5 screws (provided) - With chrome trim	72 V	Red	YSP 1236C2	
	24 V	Red	YSP 1333B2	
- Standards: Red: UIC 532OR/NF F14-402 White: UIC 534 OR				



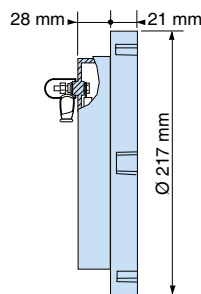
Dimensions and panel cut-outs

YSP 1175 / 99 - YSP 1226 / 36

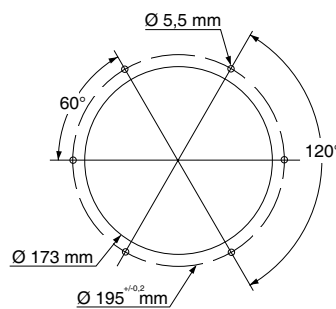
Dimensions YSP1199 / 1175 / 1280 / 1226 / 1331 / 1299



Dimensions YSP1236



Drilling template YSP1199 / 1175 / 1280 / 1226 / 1236 / 1331



Drilling template YSP1299

